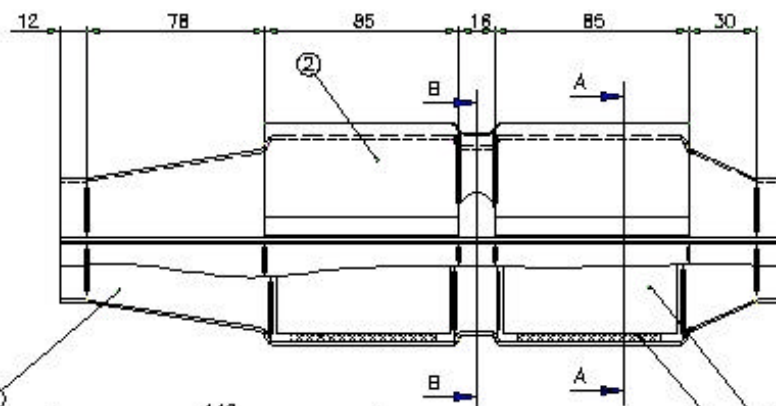


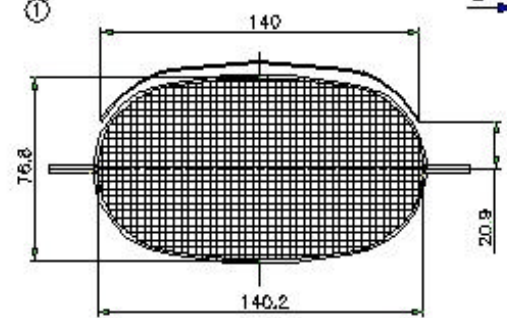
SECTION AA



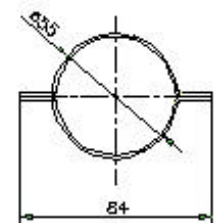
* < NO. ① & ②
(8)

NOTE:-

1. EACH WELDING PART HAS NO HARMFUL DEFECTS
2. NO LEAK TO BE FOUND AT 30kpa (0.3kg/cm²) AIR PRESSURE.
3. REMOVE SHARP EDGES.



SECTION BB



VIEW X & Y

| 4. | EC-800-04 | SUPPORTER, HONEYCOMB | 02 | CERAMIC FIBER | | |
|-------------------------------------|-----------|----------------------|------|--------------------------|-------------|--------------------------|
| 3. | EC-800-03 | CATALYST, HONEYCOMB | 02 | CERAMIC | | BOTH COATED |
| 2. | EC-800-02 | PROTR. CAT. | 01 | SA1D80 | 250x188x0.6 | |
| 1. | EC-800-01 | CASE CAT. | 02 | SUS406L | 370x250x1.5 | |
| S.NO. | PART NO. | PART NAME | QTY. | MATL. | SIZE | REMARKS |
| REF.DRG.NO. SAMPLE | | | | | SCALE | ALL DIMENSIONS ARE IN MM |
| ASSEY.DRG.NO. EC-800-00 | | | | | 1 : 2 | |
| EUROPEAN EXHAUST & CATALYST LTD. | | | | TITLE CASE COMP.CATALYST | | |
| UNIT 2&3 PARLANDS INDUSTRIAL ESTATE | | | | (EC-800) | | |
| FOREST ROAD, DENMEAD | | | | DRAWING NO. | | |
| WARELOMILLE PO78TJ | | | | EC-800-00 | | |
| TEL : 023 9224 5300 | | | | NDD. | | |
| | | | | | | |