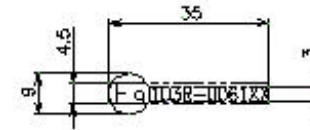
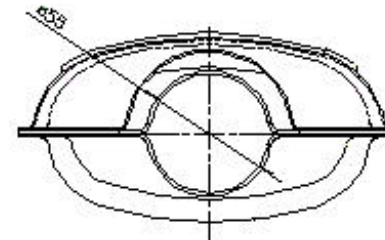
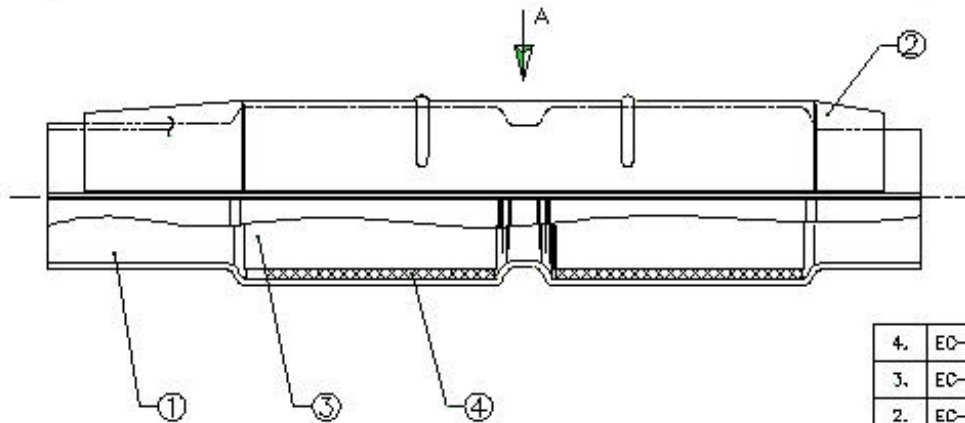


NOTE:-

1. EACH WELDING PART HAS NO HARMFUL DEFECTS.
2. NO LEAK TO BE FOUND AT 30kpa (0.3kg/cm²) AIR PRESSURE.
3. REMOVE SHARP EDGES.



PUNCHING FROM VIEW-A
(SCALE 1:1)



4.	EC-600-04	SUPPORTER,HONEYCOMB	02	CERMIC FIBER		
3.	EC-600-03	CATALYST,HONEYCOMB	02	CERAMIC	127x53.5x111	BOTH COATED
2.	EC-600-02	PROTR.CAT.	01	SA1080	375x215x0.8	
1.	EC-600-01	CASE CAT.	02	SUS408L	415x225x1.5	
S.NO.	PART NO.	PART NAME	QTY.	MATL.	SIZE	REMARKS
REF.DRG.NO. SAMPLE				SCALE 1:2/1:1		ALL DIMENSIONS ARE IN MM.
ASSY.DRG.NO. EC-600-00						
EUROPEAN EXHAUST & CATALYST LTD.				TITLE CASE COMP.CATALYST (EC-600)		
UNIT 2&3 PARLANDS INDUSTRIAL ESTATE FOREST ROAD, DENMEAD WARELOOVILLE PO78TJ TEL : 023 8224 5300				DRAWING NO. EC-600-00		NOD.