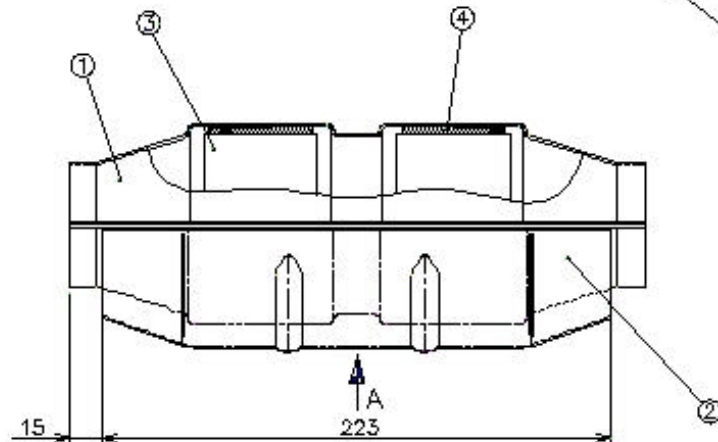
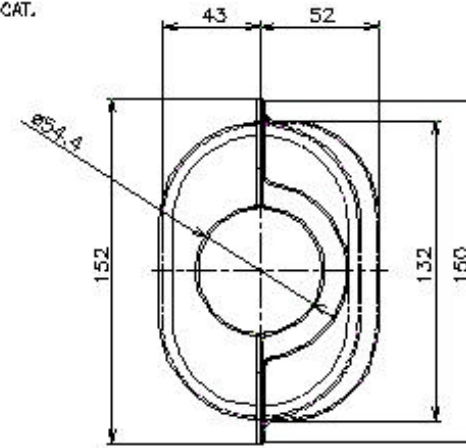


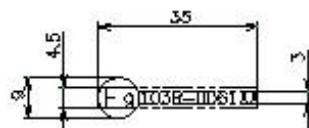
FULL LENGTH BOTH CASE CAT.
BOTH SIDES



NO. ① & ②
(8)

NOTE:-

1. EACH WELDING PART HAS NO HARMFUL DEFECTS
2. NO LEAK TO BE FOUND AT 30kpa (0.3kg/cm²) AIR PRESSURE.
3. REMOVE SHARP EDGES.



PUNCHING FROM VIEW-A
(SCALE 1:1)

4.	EC-300-04	SUPPORTER, HONEYCOMB	02	CGMMC FIBER		
3.	EC-300-03	CATALYST, HONEYCOMB	02	CERAMIC	120.85x80x50	BOTH COATED
2.	EC-300-02	PROTR. CAT.	01	SA1 D80	280x235x0.6	
1.	EC-300-01	CASE CAT.	02	SUS409L	280x220x1.5	
S.NO.	PART NO.	PART NAME	QTY.	MATL.	SIZE	REMARKS
REF.DRG.NO. SAMPLE				SCALE 1 : 2		ALL DIMENSIONS ARE IN MM.
ASSEY.DRG.NO. EC-300-00				TITLE CASE COMP.CATALYST (EC-300)		
EUROPEAN EXHAUST & CATALYST LTD. UNIT 2&3 PARLANDS INDUSTRIAL ESTATE FOREST ROAD, DENMEAD WARELOMILLE PO78TJ TEL : 023 9224 5300				DRAWING NO. EC-300-00		NDD.