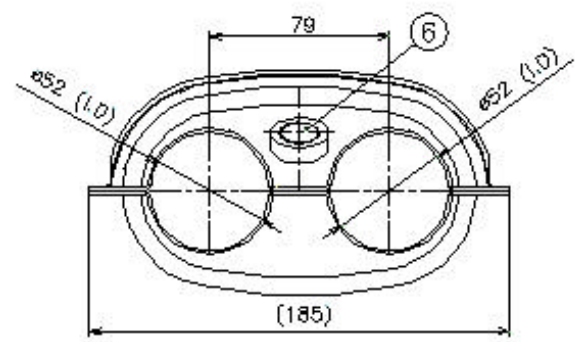
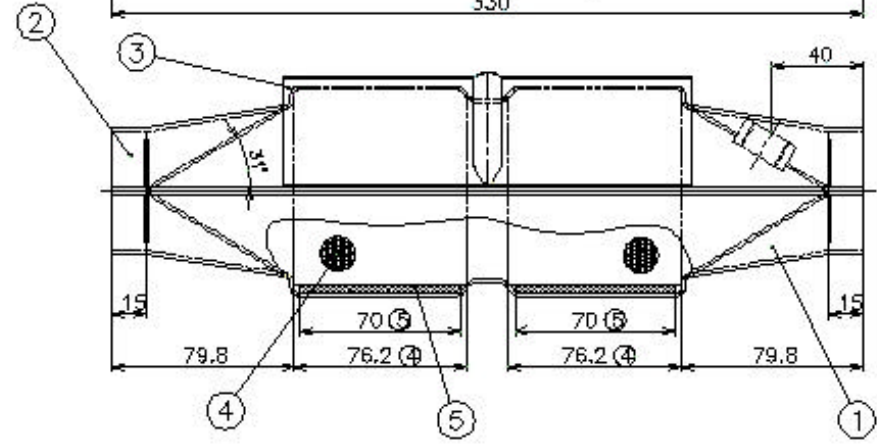


SECTION-AA



NOTE:-

1. EACH WELDING PART HAS NO HARMFUL DEFECTS.
2. NO LEAK TO BE FOUND AT 30kpa (0.3kg/cm²) AIR PRESSURE.
3. REMOVE SHARP EDGES.

S.NO.	PART NO.	PART NAME	QTY.	MATL.	SIZE	REMARKS
6.	EC-1300-06	BOSS SENSOR	01	SUS304	M18x1.5	
5.	EC-1300-05	SUPPORTER,HONEYCOMB	02	CERMIC PROTR		
4.	EC-1300-04	CATALYST,HONEYCOMB	02	CERAMIC		BOTH COATED
3.	EC-1300-03	PROTR.CAT.	01	SA10B0	t=0.8	
2.	EC-1300-02	CASE CAT. UPPER	01	SUS409L	t=1.5	
1.	EC-1300-01	CASE CAT. LOWER	01	SUS409L	t=1.5	

REF.DRG.NO.	SAMPLE		SCALE	ALL DIMENSIONS ARE IN MM
ASSY.DRG.NO.	EC-800-00		1 : 2	
EUROPEAN EXHAUST & CATALYST LTD.		TITLE	CASE COMP.CATALYST	
UNIT 2&3 PARLANDS INDUSTRIAL ESTATE FOREST ROAD, DENMEAD WARELOMILLE PO78TJ TEL : 023 9224 5300				
		DRAWING NO.	EC-1300-00	NDD.