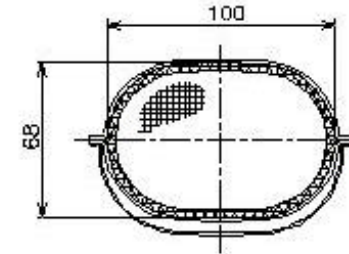
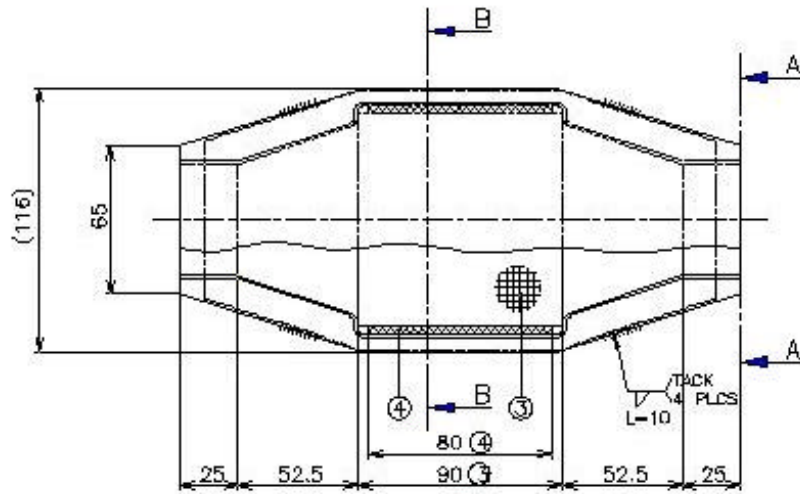
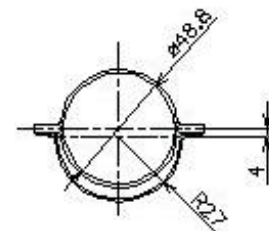


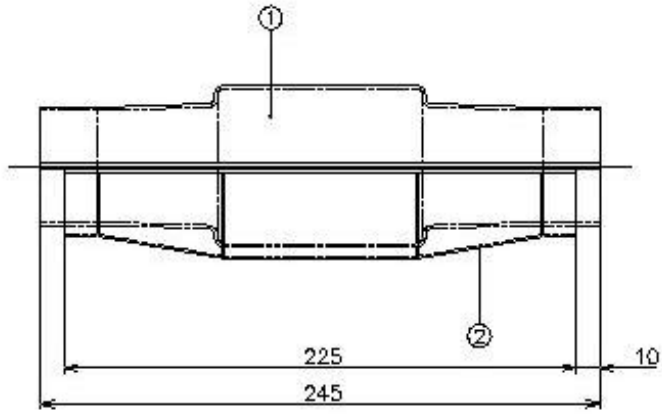
1
2
3
4
5
6
7
8
9
10
11
12
13
14
15
16
17
18
19
20
21
22
23
24
25
26
27
28
29
30
31
32
33
34
35
36
37
38
39
40
41
42
43
44
45
46
47
48
49
50
51
52
53
54
55
56
57
58
59
60
61
62
63
64
65
66
67
68
69
70
71
72
73
74
75
76
77
78
79
80
81
82
83
84
85
86
87
88
89
90
91
92
93
94
95
96
97
98
99
100



SEC-BB



SEC-AA



A3 DO NOT SCALE DRAWING

4.	EC-100-04	SUPPORTER,HONEYCOMB	01	CERAMIC FIBER			
3.	EC-100-03	CATALYST,HONEYCOMB	01	CERAMIC		COATED	
2.	EC-100-02	PROT CATALYST	01	SA1D8D	250x190x0.8		
1.	EC-100-01	CASE CATALYST	02	SUS409L	270x170x1.5		
S.NO.	PART NO.	PART NAME	QTY.	MATL.	SIZE	REMARKS	
△				DESIGNED			
△				DRAWN			
△				CHECKED			
△				APPROVED			
REV. NO.	NO. OF PLACES	MODIFICATION NO.	APPROVED BY	DATED	MATERIAL NOTED	QTY.	ALL DIMENSIONS ARE IN MM.
						01	
REF.DRG.NO.	SAMPLE					SCALE	
ASSEMBLY DRG. NO.	EC-100-00					1 : 2	
EUROPEAN EXHAUST & CATALYST LTD. UNIT 2&3 PARLANDS INDUSTRIAL ESTATE FOREST ROAD, DENMEAD WARELOWILLE, PO78TJ TEL : 023 9224 5300					TITLE CASE COMP. CATALYST (EC-100)		
DRAWING NO. EC-100-00						NOD.	△